

PROPERTY BOUNDARY

EXISTING BARN AND SHEDS

EXISTING WATER WELL

EXISTING BUILDING

SECURITY FENCE (BOUNDARY OF TRANSFER STATION)

50 FT BUFFER FOR TRANSFER STATION BUILDING

TRANSFER BUILDING

EXISTING BUILDING

EXISTING HOUSE

TRANSFER TRAILER PARKING AREA (THIS IS A PARKING AREA WITH ROAD BASE THAT IS SEPARATE FROM THE TRANSFER STATION BUILDING)

HIGHWAY 281

RELOCATE EXISTING DRIVEWAY

REMOVE EXISTING DRIVEWAY ACCESS TO HIGHWAY 281

SCALE

FUTURE SCALE

FACILITY DRIVEWAY (WILL BE A SHARED ACCESS DRIVEWAY WITH ADJACENT RESIDENTIAL AREA)



50 FT BUFFER FOR TRANSFER TRAILER PARKING AREA

TRACTOR TRAILER RAMP DOWN

OFFICE BUILDING

8" REINFORCED CONCRETE PAVEMENT

FLEXIBLE BASE (6" SOIL CEMENT WITH 8" LIMESTONE BASE)

EXISTING 20' WIDE TELEPHONE EASEMENT

PROPOSED DETENTION POND

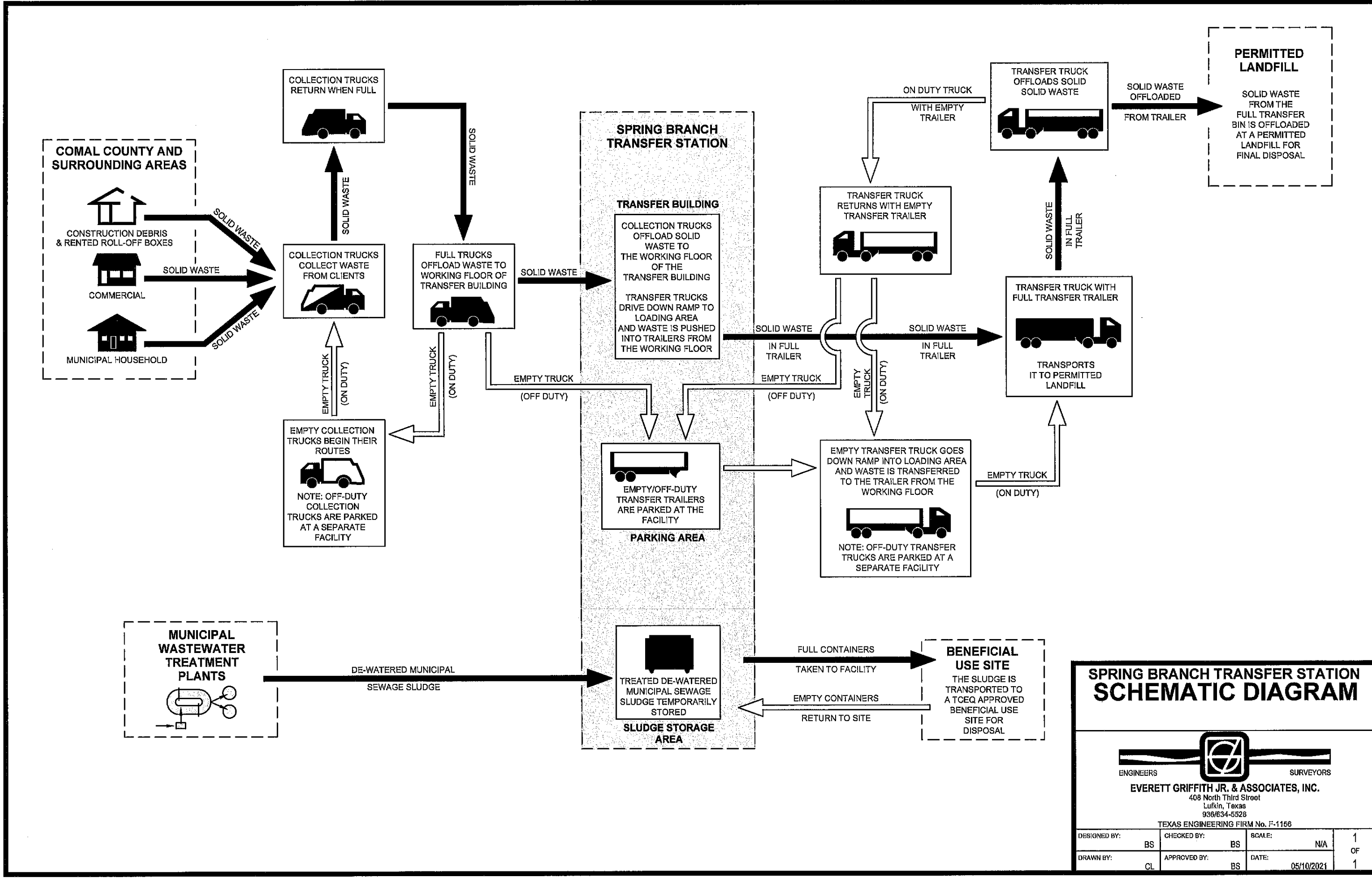
**SPRING BRANCH TRANSFER STATION  
PROJECT SITE AT  
PROPOSED CONDITIONS**



ENGINEERS SURVEYORS  
**EVERETT GRIFFITH JR. & ASSOCIATES, INC.**  
408 North Third Street  
Lufkin, Texas  
936/634-5528  
TEXAS ENGINEERING FIRM No. F-1156

DESIGNED BY: BS	CHECKED BY: BS	SCALE: 1"=200'	2 OF 2
DRAWN BY: FJA/TCL	APPROVED BY: BS	DATE: 10/24/2023	





**SPRING BRANCH TRANSFER STATION SCHEMATIC DIAGRAM**

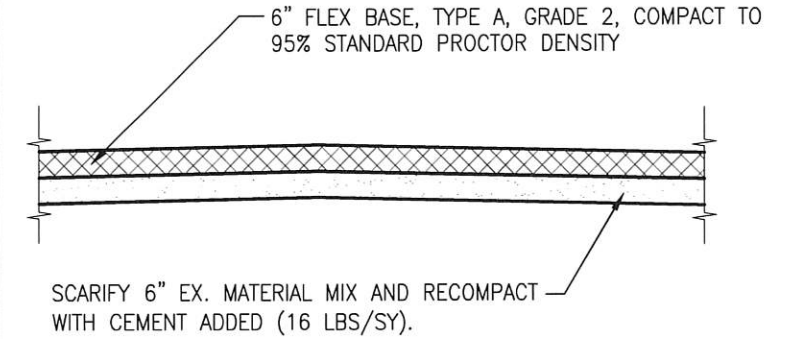


ENGINEERS SURVEYORS  
**EVERETT GRIFFITH JR. & ASSOCIATES, INC.**  
 408 North Third Street  
 Lufkin, Texas  
 936/634-5528  
 TEXAS ENGINEERING FIRM No. F-1156

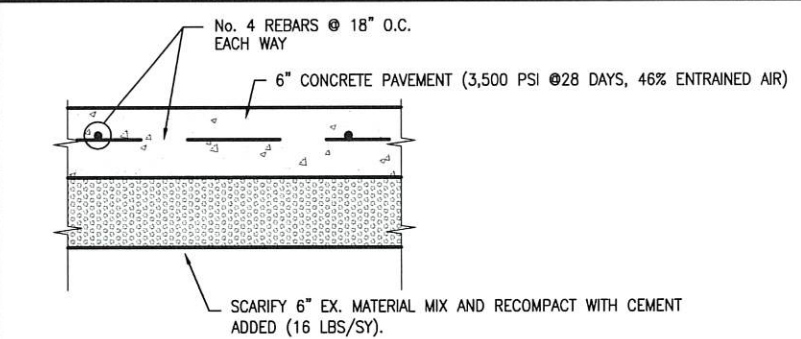
DESIGNED BY:	BS	CHECKED BY:	BS	SCALE:	N/A	1
DRAWN BY:	CL	APPROVED BY:	BS	DATE:	05/10/2021	OF 1



NOTE: THE TRANSFER TRAILER PARKING AREA IS SEPARATE FROM THE TRANSFER STATION BUILDING.



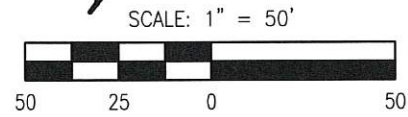
1 | PARKING TYPICAL AREA SECTION SCALE: NONE



2 | TYPICAL CONCRETE PAVEMENT SCALE: NONE

**LEGEND**

- DIRECTION OF FLOW
- RETAINING WALL
- EXISTING CONTOURS
- PROPOSED CONTOURS
- PROPOSED CONCRETE PAVEMENT
- PROPOSED ROCK DRIVE



N 33°32'44" W 241.09'

N 46°36'42" E 379.18'

GRADE TO DRAIN

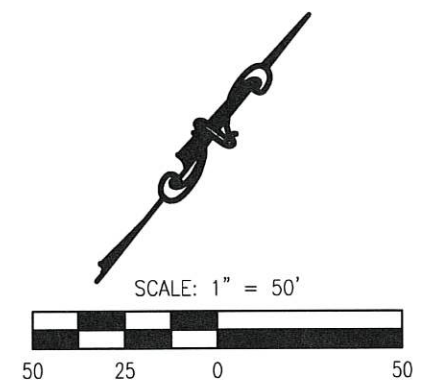
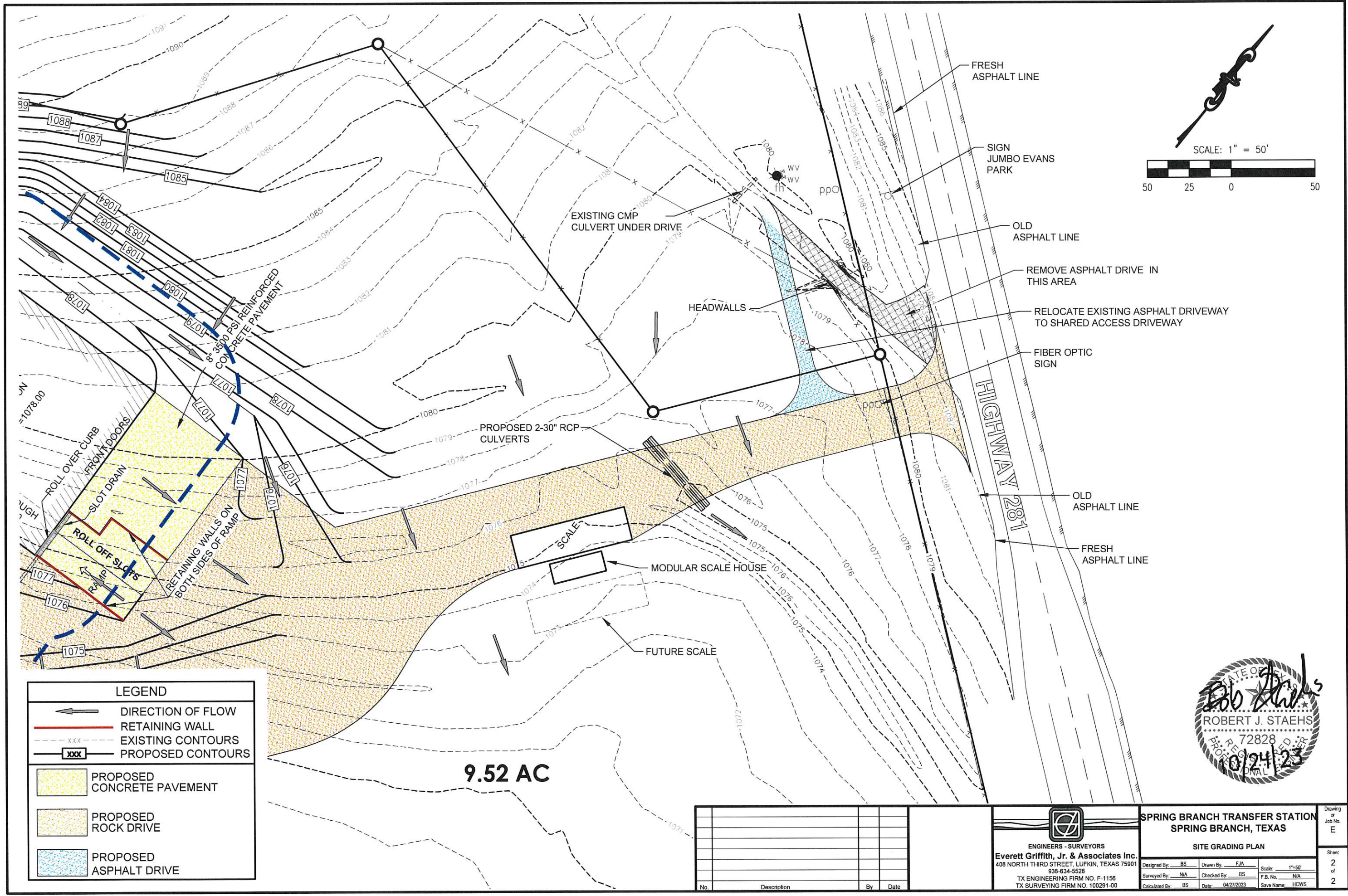
GRADE TO DRAIN

FLEXIBLE BASE (SUBGRADE PREP WITH 8" LIMESTONE BASE)



<p><b>ENGINEERS - SURVEYORS</b>  <b>Everett Griffith, Jr. &amp; Associates Inc.</b>          408 NORTH THIRD STREET, LUFKIN, TEXAS 75901          936-634-5528          TX ENGINEERING FIRM NO. F-1156          TX SURVEYING FIRM NO. 100291-00</p>		<p><b>SPRING BRANCH TRANSFER STATION</b>  <b>SPRING BRANCH, TEXAS</b></p> <p><b>SITE GRADING PLAN</b></p>		<p>Designed By: BS          Drawn By: FJA          Scale: 1"=50'          Surveyed By: N/A          Checked By: BS          F.B. No.: N/A          Calculated By: BS          Date: 04/27/2023          Save Name: HCWS</p>	<p>Drawing or Job No. E          Sheet 1 of 2</p>
---	--	---	--	---	---





LEGEND	
	DIRECTION OF FLOW
	RETAINING WALL
	EXISTING CONTOURS
	PROPOSED CONTOURS
	PROPOSED CONCRETE PAVEMENT
	PROPOSED ROCK DRIVE
	PROPOSED ASPHALT DRIVE

9.52 AC



<p>ENGINEERS - SURVEYORS  <b>Everett Griffith, Jr. &amp; Associates Inc.</b>          408 NORTH THIRD STREET, LUFKIN, TEXAS 75901          936-634-5528          TX ENGINEERING FIRM NO. F-1156          TX SURVEYING FIRM NO. 100291-00</p>		<p><b>SPRING BRANCH TRANSFER STATION</b>  <b>SPRING BRANCH, TEXAS</b></p> <p>SITE GRADING PLAN</p>	<p>Drawing or Job No. E</p> <p>Sheet 2 of 2</p>																													
<table border="1"> <thead> <tr> <th>No.</th> <th>Description</th> <th>By</th> <th>Date</th> </tr> </thead> <tbody> <tr><td> </td><td> </td><td> </td><td> </td></tr> <tr><td> </td><td> </td><td> </td><td> </td></tr> <tr><td> </td><td> </td><td> </td><td> </td></tr> <tr><td> </td><td> </td><td> </td><td> </td></tr> </tbody> </table>	No.	Description	By	Date																	<table border="1"> <tr> <td>Designed By: BS</td> <td>Drawn By: FJA</td> <td>Scale: 1"=50'</td> </tr> <tr> <td>Surveyed By: N/A</td> <td>Checked By: BS</td> <td>F.B. No. N/A</td> </tr> <tr> <td>Calculated By: BS</td> <td>Date: 04/27/2023</td> <td>Save Name: HCWS</td> </tr> </table>	Designed By: BS	Drawn By: FJA	Scale: 1"=50'	Surveyed By: N/A	Checked By: BS	F.B. No. N/A	Calculated By: BS	Date: 04/27/2023	Save Name: HCWS		
No.	Description	By	Date																													
Designed By: BS	Drawn By: FJA	Scale: 1"=50'																														
Surveyed By: N/A	Checked By: BS	F.B. No. N/A																														
Calculated By: BS	Date: 04/27/2023	Save Name: HCWS																														